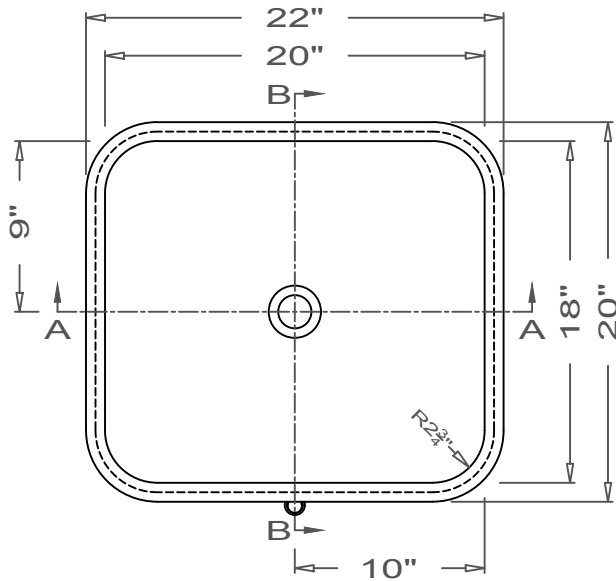


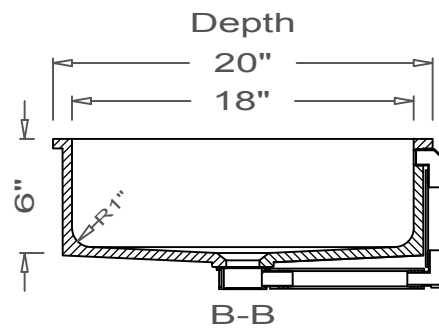
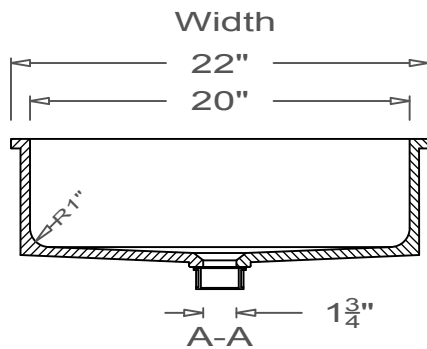
# GRIFform INNOVATIONS®

## Lavatory Sink

Round Corner  
U-Undermount



This style available  
in Heights  
from 3" to 12".



All drain holes are nominally 1 3/4" in diameter and accept all standard drain hardware.

All lavatory sinks come with an overflow drain assembly unless requested otherwise.