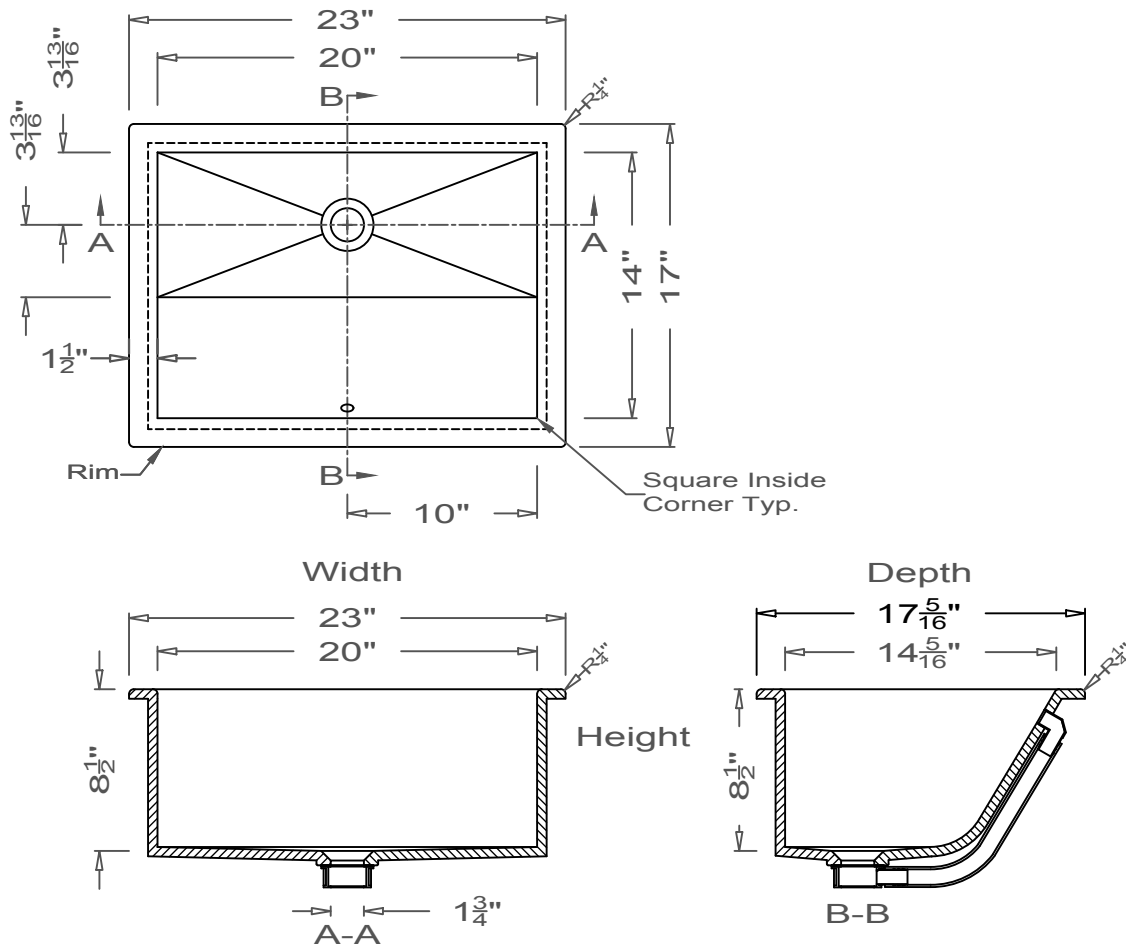


# GRIFform INNOVATIONS®

## Lavatory Sink

Ramping  
O-Overmount



All drain holes are nominally 1 3/4" in diameter and accept all standard drain hardware.

All lavatory sinks come with an overflow drain assembly unless requested otherwise.