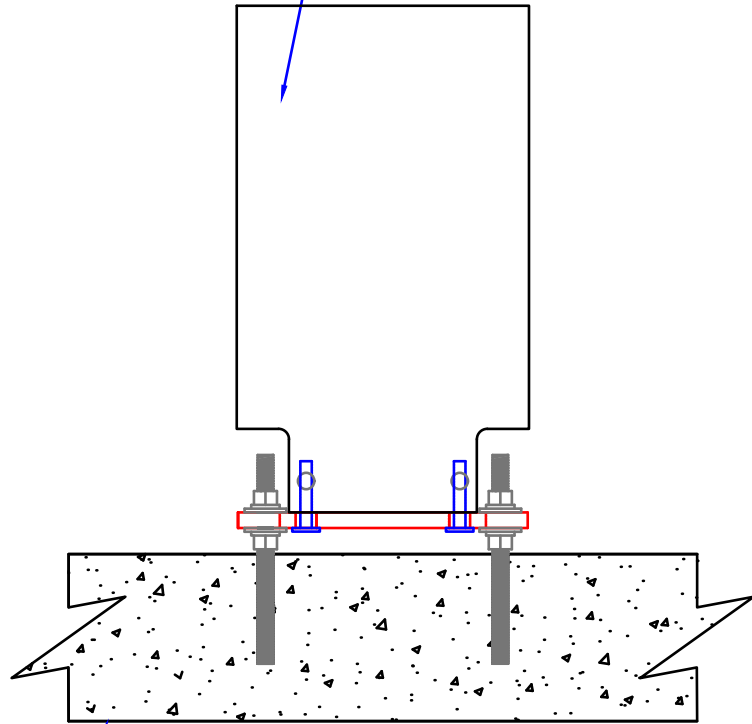


**Pilaster**



**Concrete Floor**