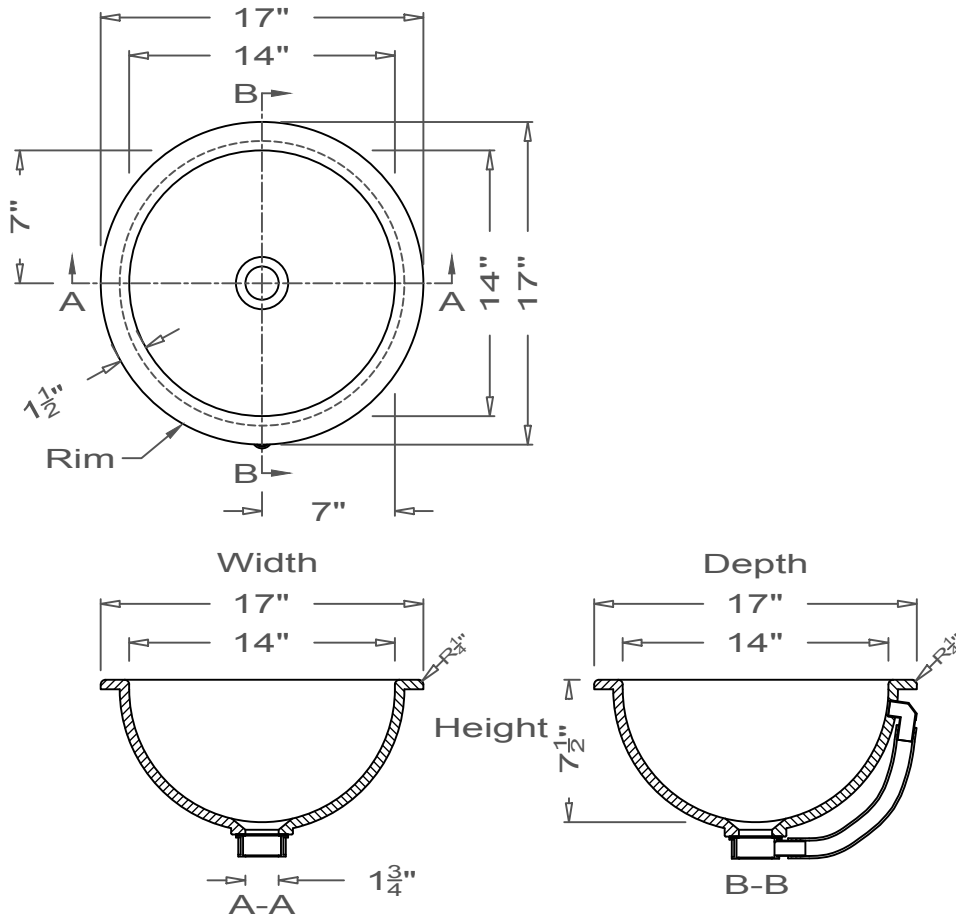


GRIFform INNOVATIONS®

Lavatory Sink

Formed
O-Overmount



All drain holes are nominally 1 3/4" in diameter and accept all standard drain hardware.

All lavatory sinks come with an overflow drain assembly unless requested otherwise.