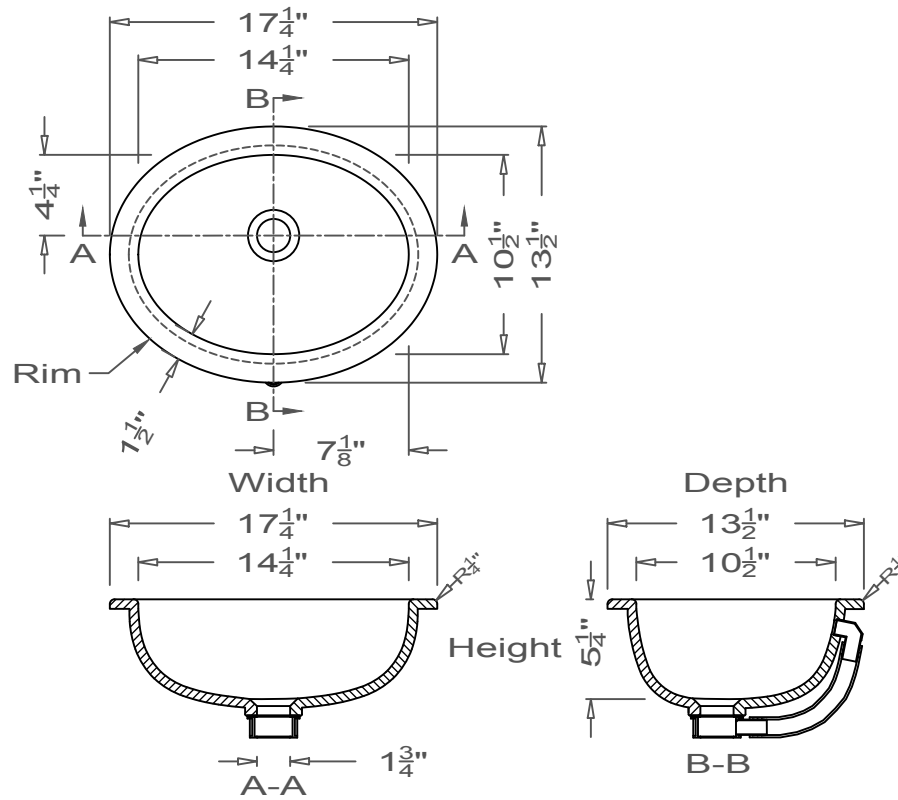


GRIFform INNOVATIONS®

Lavatory Sink

Formed
O-Overmount



All drain holes are nominally $1\frac{3}{4}"$ in diameter and accept all standard drain hardware.

All lavatory sinks come with an overflow drain assembly unless requested otherwise.