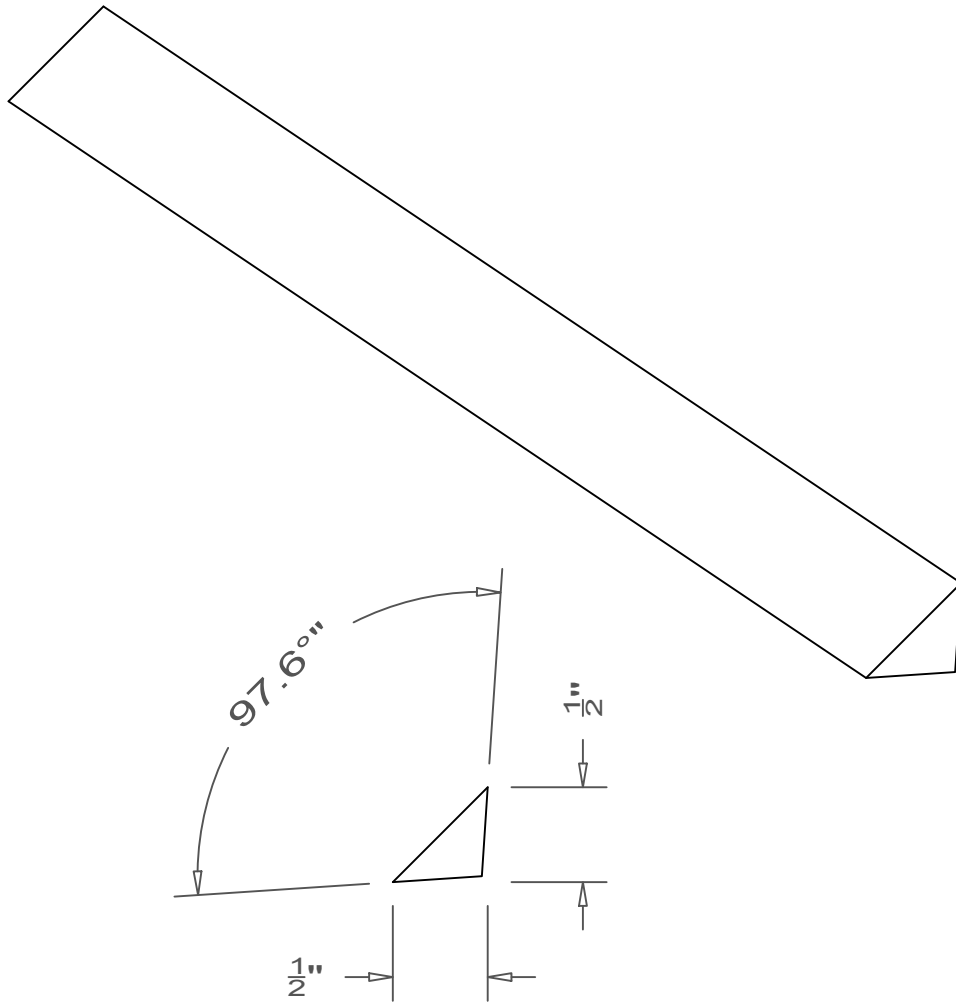


# GRIFform INNOVATIONS®

## Molding

1/2" Beveled



All moldings are available in lengths of 48" and 96".