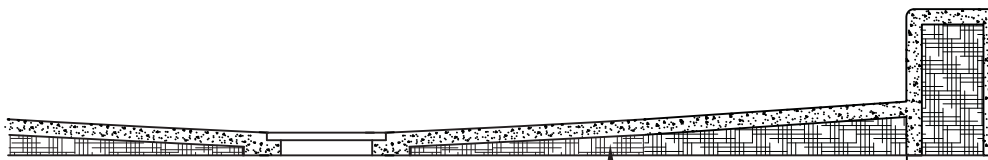
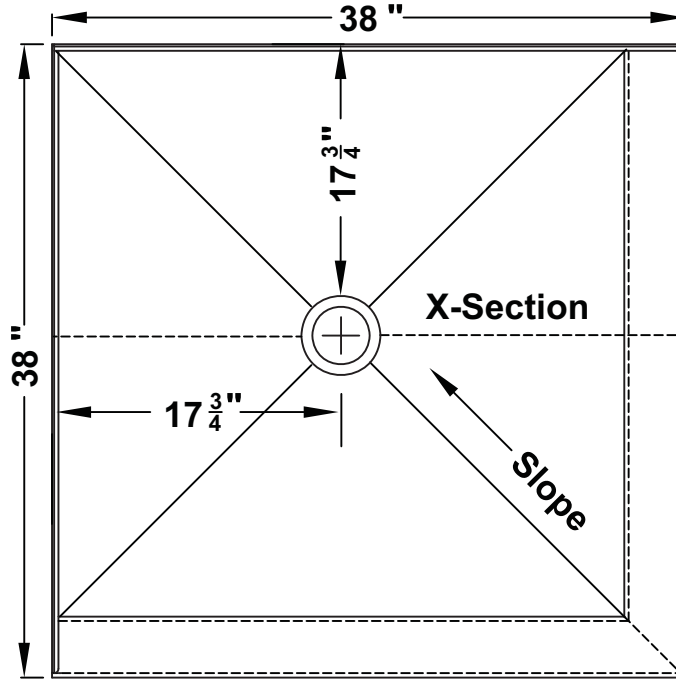


GRIFform INNOVATIONS® Classic Shower Pan

Drain dimensions are from outside of the flange to center of drain hole.



Solid Foam Filled

Wall Board as required

Corian Wall Panel

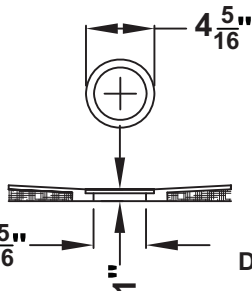
Framing

1" Air Gap

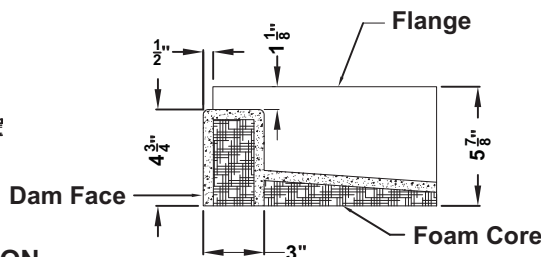
1/8" Clearance (Between framing and shower base flange.)

CORIAN SHOWER PAN

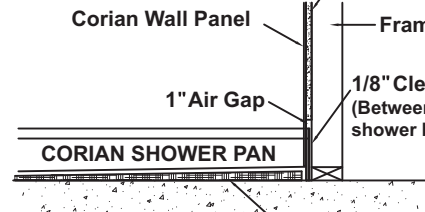
Solid Foam Filler



DRAIN CROSS SECTION



**NO DRIP THRESHOLD
DAM CROSS SECTION**



WALL CROSS SECTION