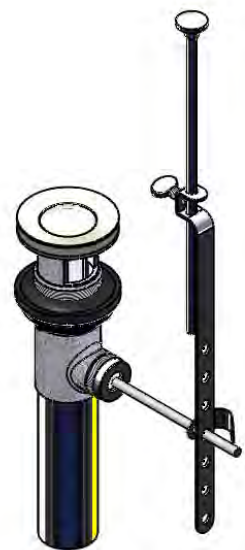
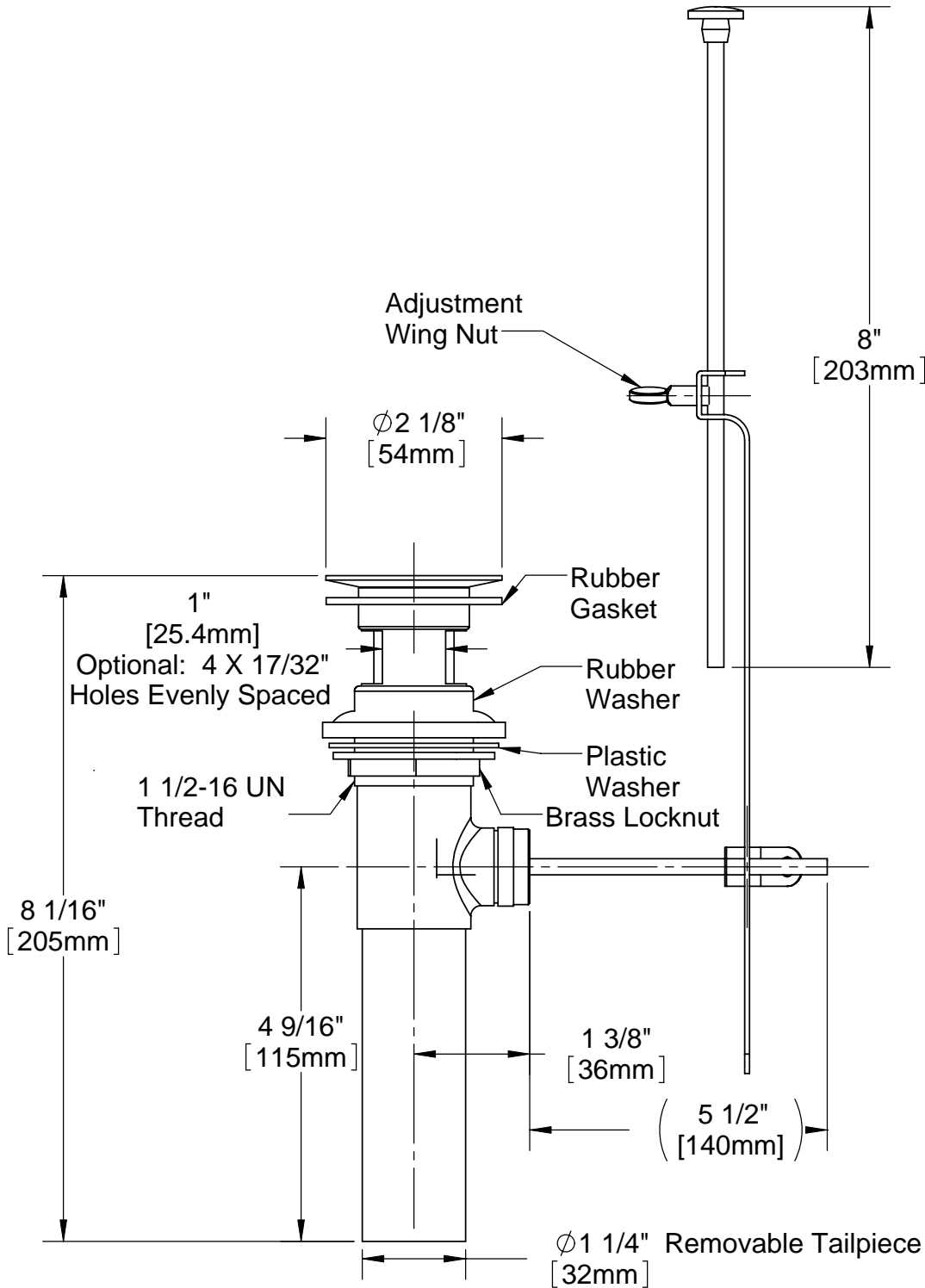




REG #A2601
ISO #9001

Model No.
B-0898

Item No.



Product Specifications:
**Pop Up Drain w/
Vandal Resistant Stopper**

Drawn ARH	Checked GEF	Approved JHB
Scale: 1:2		Date: 6/5/08